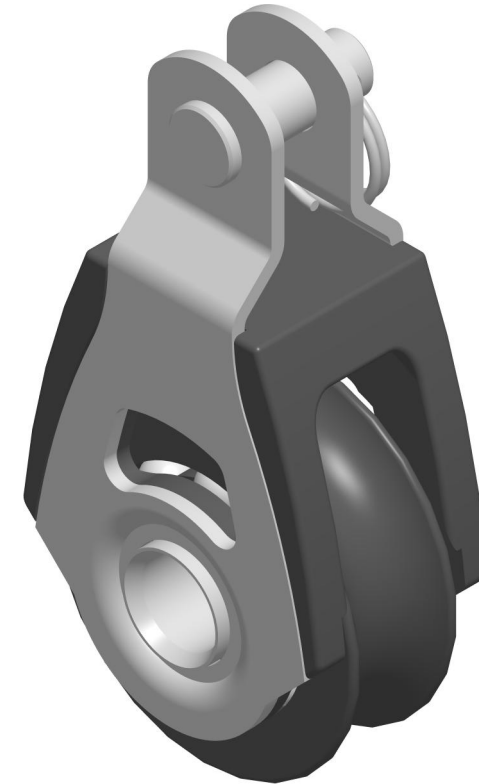
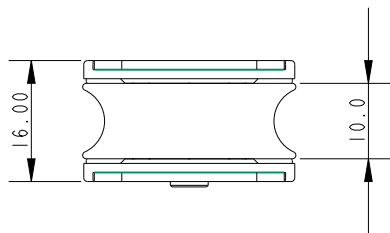


SCALE 1:1



SCALE 2:1

**Specification**

Length mm	Line Diameter mm	Shackle Pin mm	Breaking Load kg	MWL kg	Weight g
56	8	5	450	140	31

**DIMENSIONS FOR REFERENCE ONLY**  
 allenbrothers.co.uk  
 +44(0)1621 772477

Title	Description
<b>A2030F-REF</b>	<b>30mm Dynamic Fork</b>