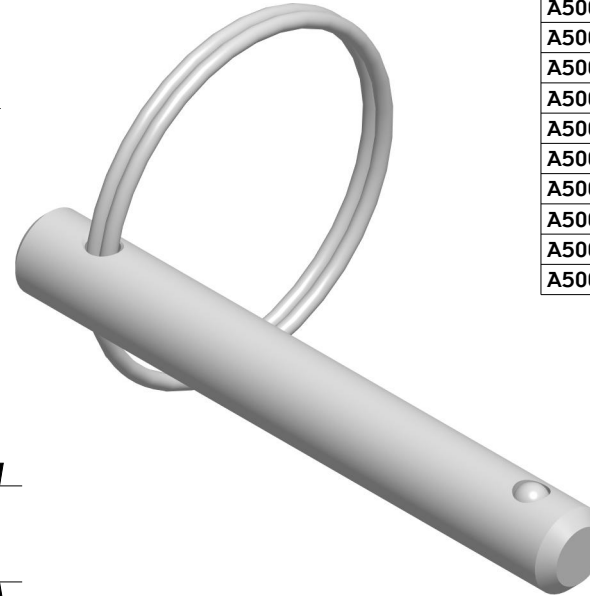
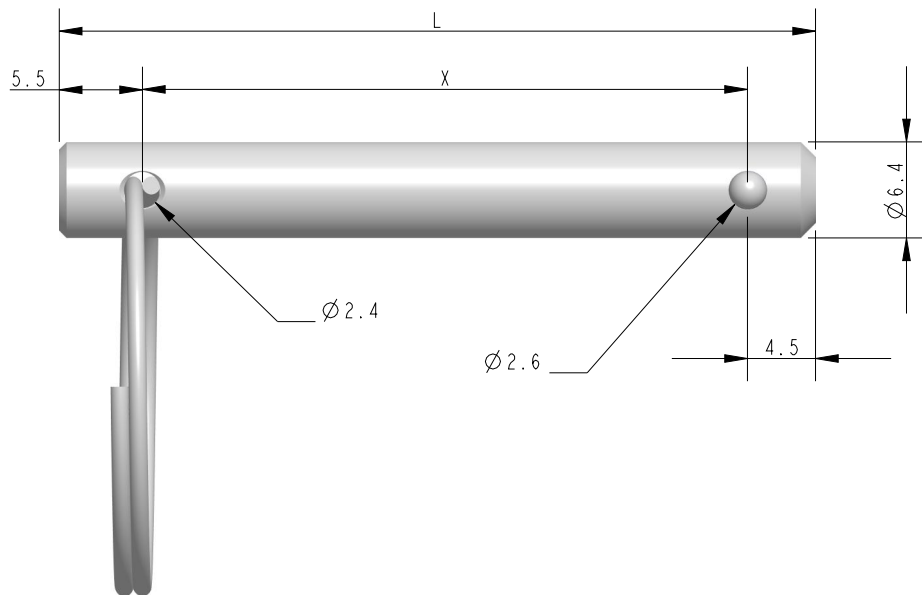
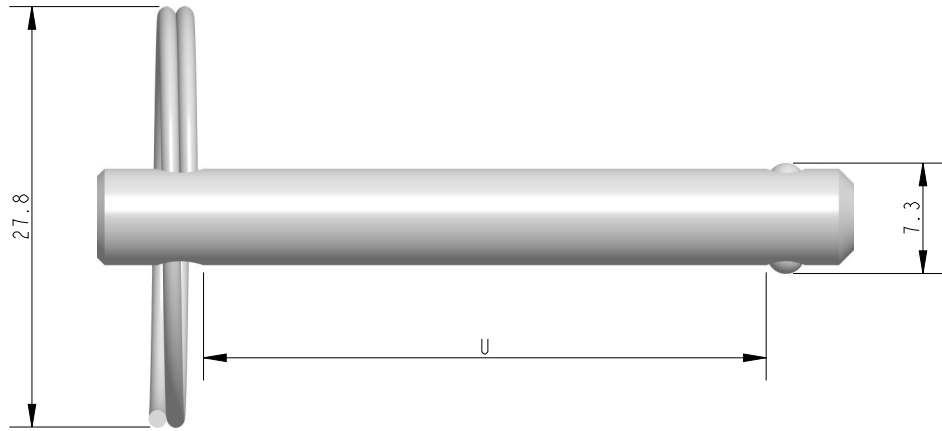


# A5008



SCALE 2:1

A	'L'	'X'	'U'
A5008-26	26	16	13.5
A5008-32	32	22	19.5
A5008-38	38	28	25.8
A5008-44	44	34	31.5
A5008-50	50	40	37.5
A5008-56	56	46	43.5
A5008-62	62	52	49.5
A5008-68	68	58	55.5
A5008-74	74	64	61.5
A5008-80	80	70	67.5
A5008-86	86	76	73.5
A5008-92	92	82	79.5
A5008-98	98	88	85.5
A5008-104	104	94	91.5

## Specification

Dia. Inches	Usable Length mm	Overall Length mm
1/4"	U	L

**DIMENSIONS FOR REFERENCE ONLY**  
 allenbrothers.co.uk  
 +44(0)1621 772477

Title	Description
A5008-REF	1/4" Multi Length Fast Pin