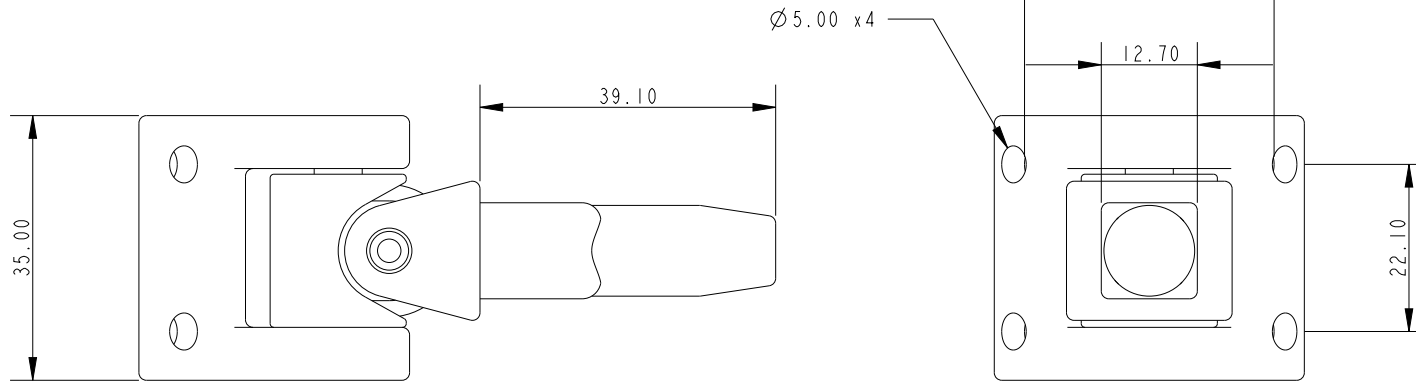


SCALE 1:1



Specification			
Fixing Hole Dia. mm	Pin Diameter mm	To Suit Mast Dia mm	Weight g
5	12	40	66

DIMENSIONS FOR REFERENCE ONLY
 allenbrothers.co.uk
 +44(0)1621 772477

Title	Description
A--14S-REF	Alloy Gooseneck With Square Pin