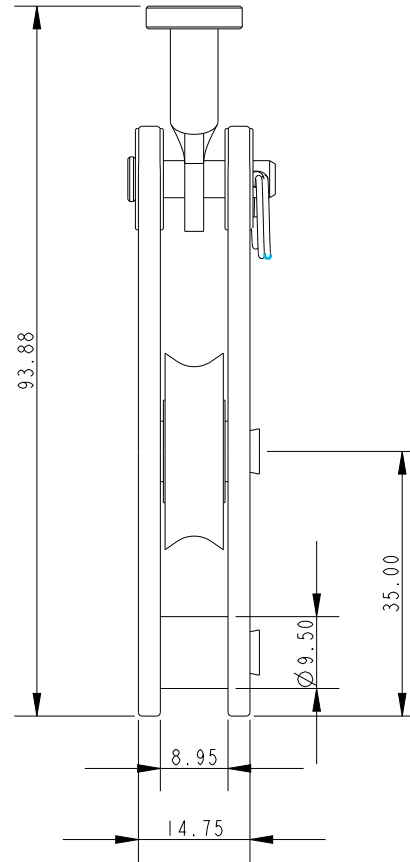


SCALE 1:1



Specification

Sheave Diameter mm	Length mm	Max Line Diameter mm	Shackle Pin mm	Breaking Load kg	Max Working Load kg	Weight g
26	93.88	6	5	620	310	46

DIMENSIONS FOR REFERENCE ONLY
allenbrothers.co.uk
+44(0)1621 772477

Title	Description
A--93C-REF	Curved Key