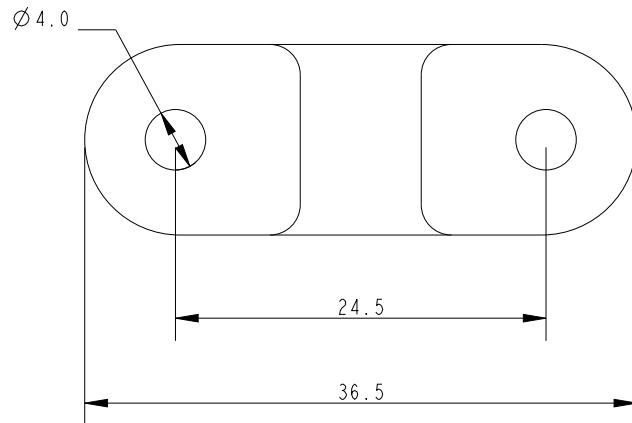


SCALE 2:1



SCALE 2:1



| Specification | | | |
|------------------|------------------------|---------------------------|-------------|
| Inside Dia mm | Fixing Hole Size mm | Fixing Hole Centres mm | Weight g |
| 8 | 4 | 24,5 | 6 |

DIMENSIONS FOR REFERENCE ONLY
 allenbrothers.co.uk
 +44(0)1621 772477

| Title | Description |
|-----------|--------------------|
| A-182-REF | Open Base Fairlead |