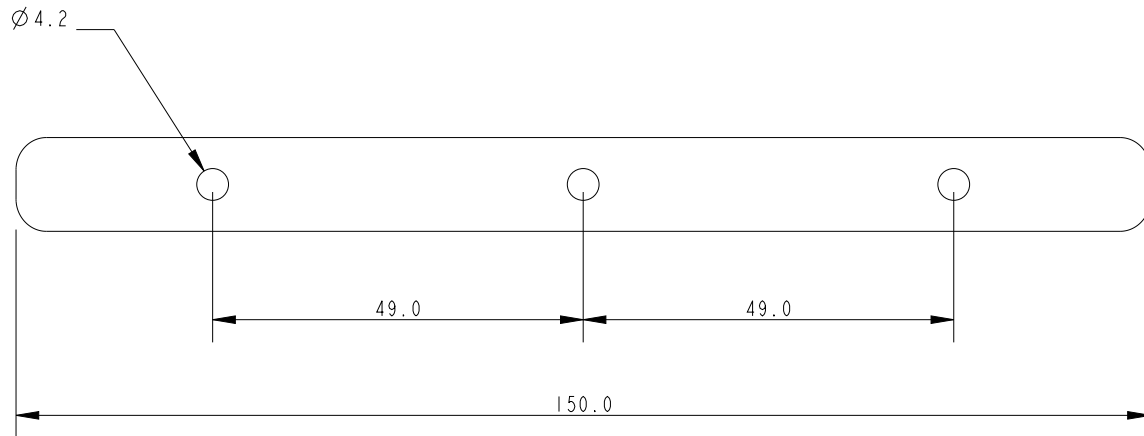
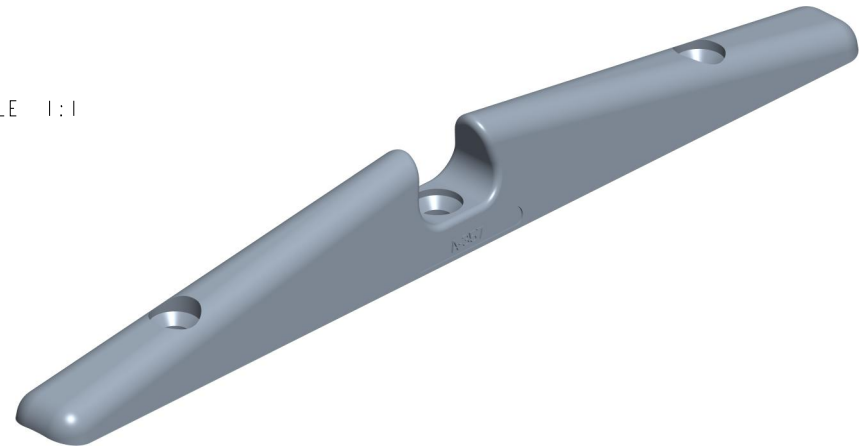


SCALE 1:1



**Specification**

Fixing Hole Diameter mm	Fixing Hole Centres mm	Length mm	Maximum Rope Size mm	Weight g
4	49	150	6	16

**DIMENSIONS FOR REFERENCE ONLY**  
 allenbrothers.co.uk  
 +44(0)1621 772477

Title	Description
<b>A-357-REF</b>	<b>Spinnaker Pole Ramp</b>