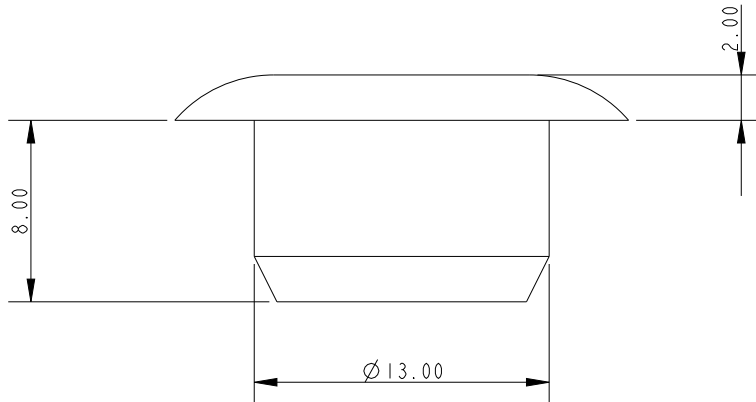


SCALE 3:1



Specification			
Inside Diameter mm	Outside Diameter mm	Column Depth mm	Weight g
8	13	14	2

DIMENSIONS FOR REFERENCE ONLY
 allenbrothers.co.uk
 +44(0)1621 772477

Title	Description
A-439-14-REF	Through Deck Bush