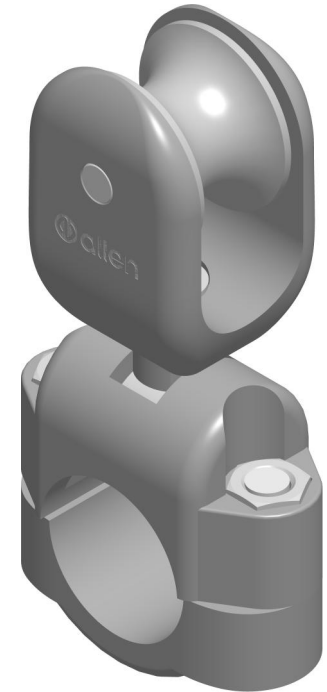
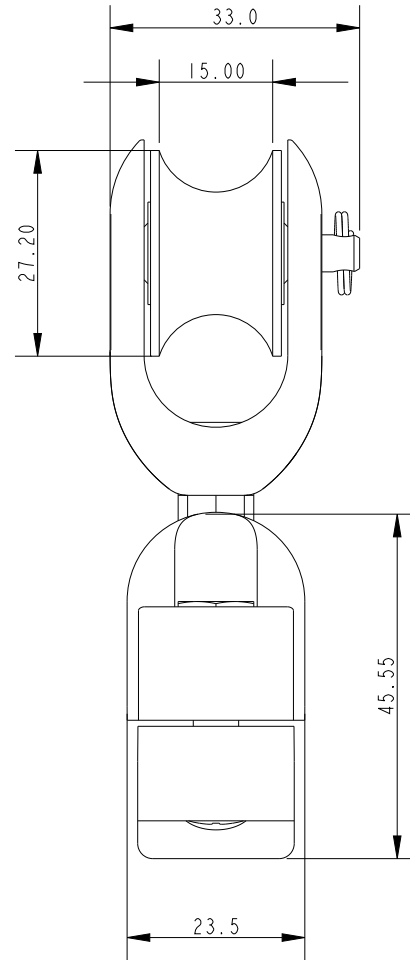


SCALE 1:1



SCALE 1:1

Specification					
Length mm	Line Diameter mm	Bracket Diameter mm	Maximum Working Load Kg	Breaking Load kg	Weight g
95	14	25	200	280	69

DIMENSIONS FOR REFERENCE ONLY
 allenbrothers.co.uk
 +44(0)1621 772477

Title	Description
A-450A-REF	Stanchion Mounted Block With Removable Pin