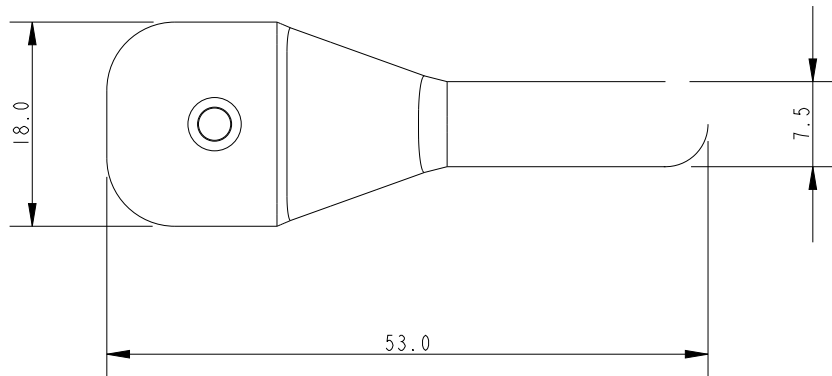


SCALE 3:2



**DIMENSIONS FOR REFERENCE ONLY**  
 allenbrothers.co.uk  
 +44(0)1621 772477

Specification			
Width mm	Length mm	Opening mm	Weight g
28	53	6	6

Title	Description
A-549-REF	Nylon Sail Shackle