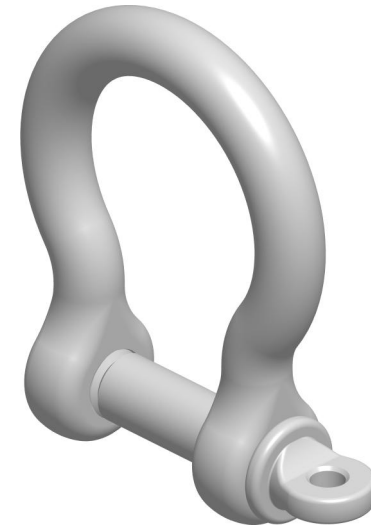
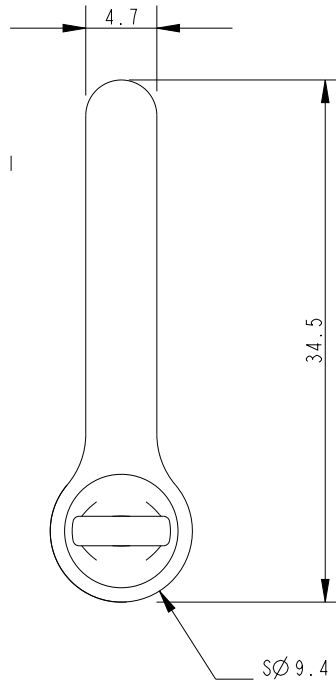


SCALE 2:1



DIMENSIONS FOR REFERENCE ONLY
 allenbrothers.co.uk
 +44(0)1621 772477

Specification

L mm	A mm	D mm	W mm	Breaking Load kg	Weight g
23	11	5	17	950	15

Title	Description
A-622105-REF	Bow Shackle With Forged Pin