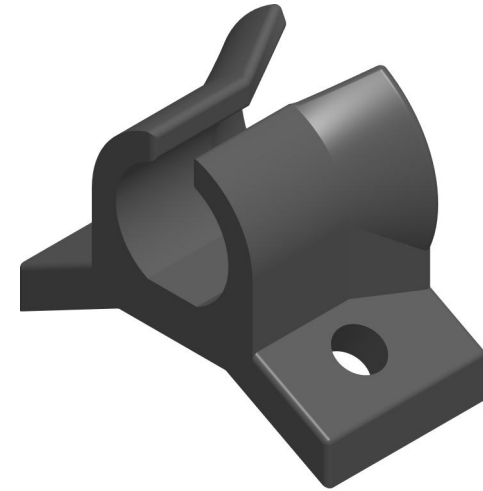
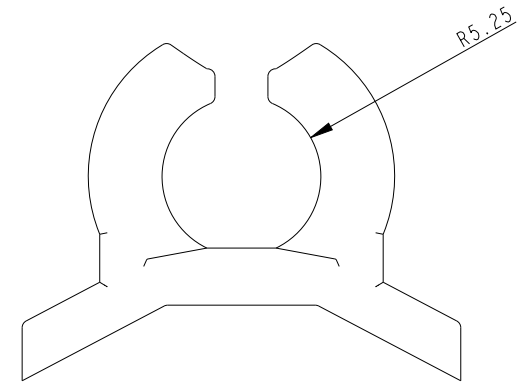
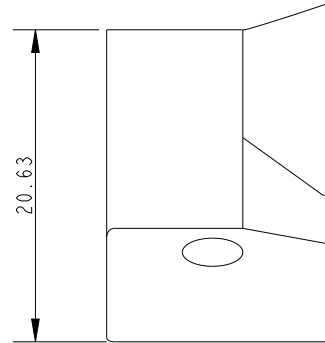
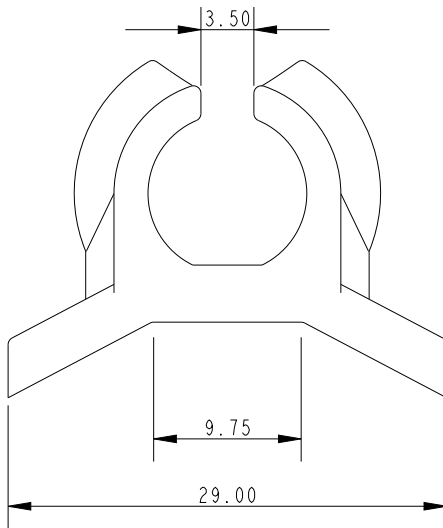


SCALE 2:1



SCALE 2:1



Specification				
Length mm	Fixing hole centres mm	Fixing Hole Diameter mm	Internal Width mm	To Suit Slug
15	20	4	10.5	A.626

DIMENSIONS FOR REFERENCE ONLY
 allenbrothers.co.uk
 +44(0)1621 772477

Title	Description
A-824-REF	Sail Feeder