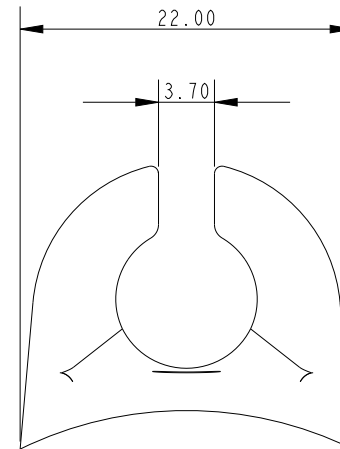
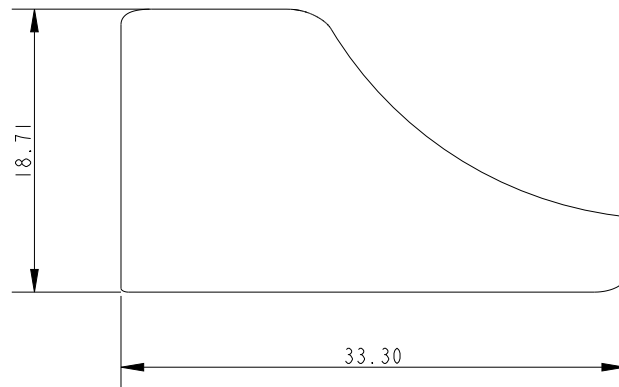


SCALE 2:1



SCALE 3:2



Specification			
Length mm	Fixing Hole Diameter mm	Internal Width mm	To Suit Slug
30	4	9.5	A.656

DIMENSIONS FOR REFERENCE ONLY
allenbrothers.co.uk
+44(0)1621 772477

Title	Description
A-924-REF	Sail Entry Feeder