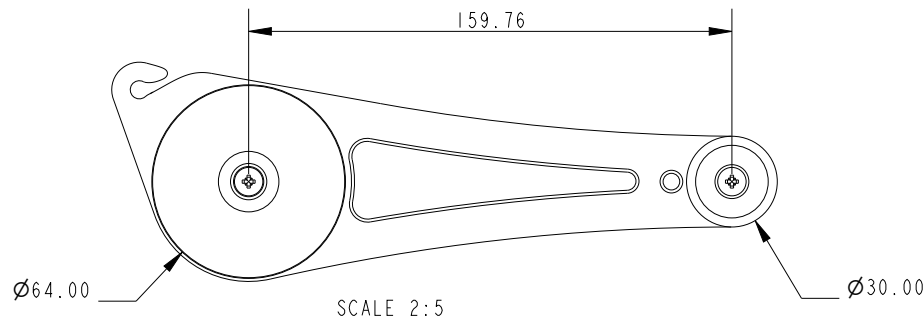
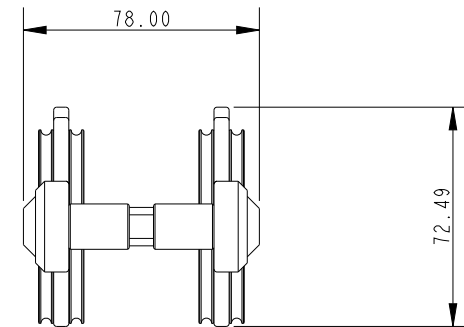


SCALE 2:5



SCALE 2:5



Specification

Length mm	Width mm	Weight g
220	78	360

DIMENSIONS FOR REFERENCE ONLY
 allenbrothers.co.uk
 +44(0)1621 772477

Title	Description
A-VANG-LEVER-REF	Vang Lever for Finn/OK Dinghy