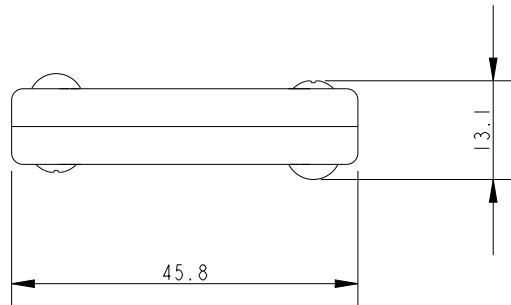
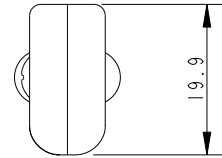


SECTION XSEC0001-XSEC0001
SCALE 1:1



Specification					
To Suit Batten Width mm	To Suit Batten Thickness mm	Length mm	Width mm	Thickness mm	Weight g
27	5	46	20	10	7

DIMENSIONS FOR REFERENCE ONLY
allenbrothers.co.uk
+44(0)1621 772477

Title	Description
A--51-REF	Batten Protector With Stainless Steel Screws