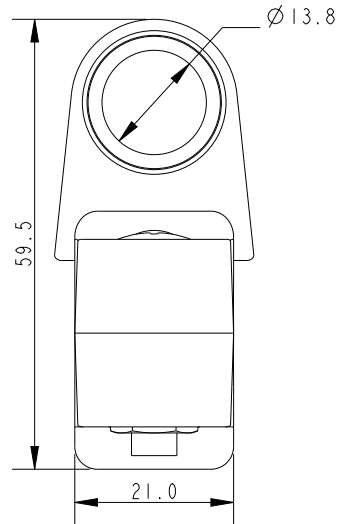
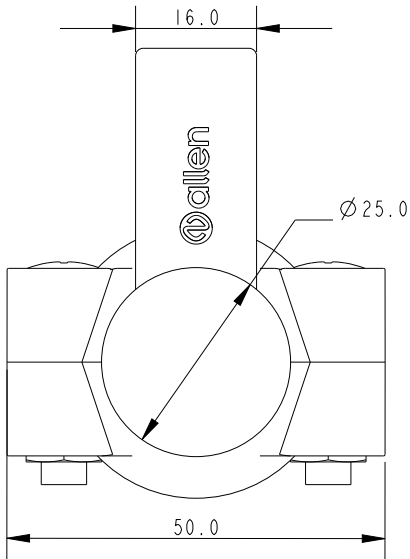


SCALE 1:1



Specification

Length mm	Line Diameter mm	Bracket Diameter mm	Maximum Working Load Kg	Breaking Load kg	Weight g
59.5	14	25	200	280	45.6

DIMENSIONS FOR REFERENCE ONLY
 allenbrothers.co.uk
 +44(0)1621 772477

Title	Description
A-455-REF	Stanchion Mounted Fairlead With Stainless Bush