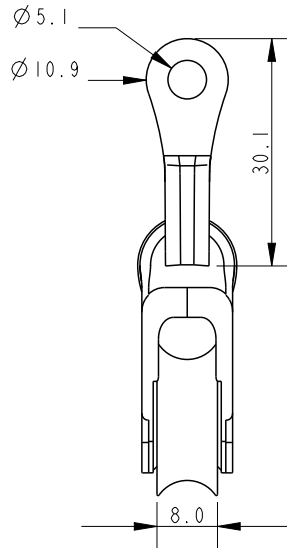
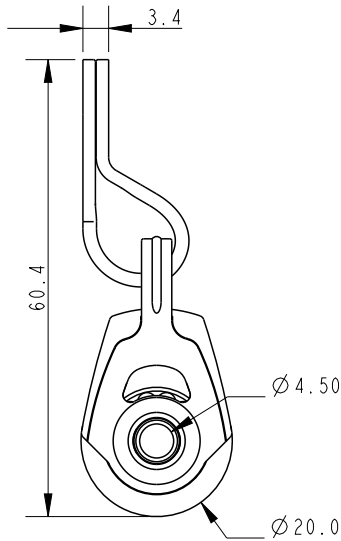


SCALE 1:1



SCALE 3:2

Specification						
Length mm	Line Diameter mm	Shackle Pin mm	Breaking Load kg	MWL kg	Weight g	Bearing Detail
60.4	6	5	540	115	15	Stainless Steel

**DIMENSIONS FOR REFERENCE ONLY**  
 allenbrothers.co.uk  
 +44(0)1621 772477

Title	Description
<b>A2020-4035-REF</b>	<b>Single With P-Clip</b>