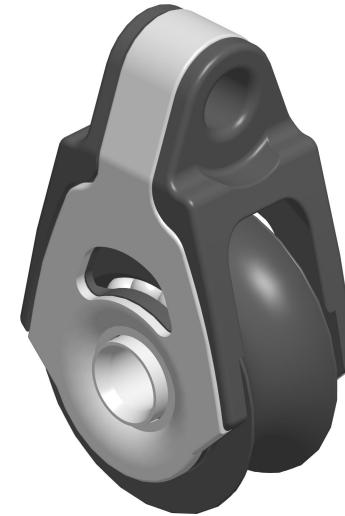
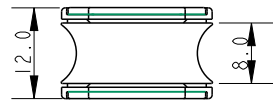


SCALE 1:1



SCALE 2:1

Specification						
Length mm	Line Diameter mm	Shackle Pin mm	Breaking Load kg	MWL kg	Weight g	Bearing Detail
35	6	-	350	115	11.5	Stainless Steel

**DIMENSIONS FOR REFERENCE ONLY**  
 allenbrothers.co.uk  
 +44(0)1621 772477

Title	Description
A2021-REF	Single Multi Function Block