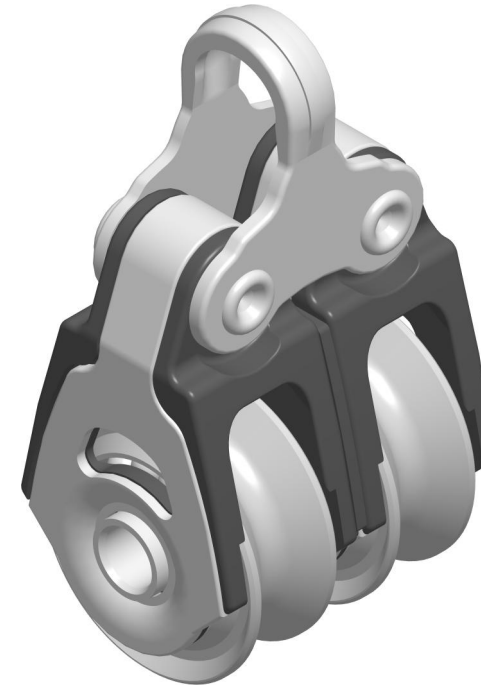
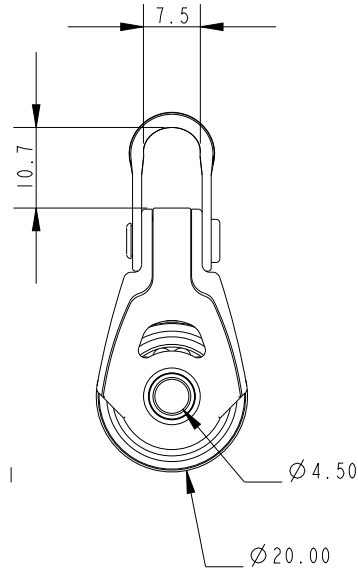


SCALE 1:1



Specification

Sheave Diameter mm	Length mm	Max Line Diameter mm	Breaking Load kg	Max Working Load kg	Weight g	Bearing Detail
20	48	6	600	325	42	Stainless Steel Ball

DIMENSIONS FOR REFERENCE ONLY
 allenbrothers.co.uk
 +44(0)1621 772477

Title	Description
A2022HL-REF	HL Dynamic Double