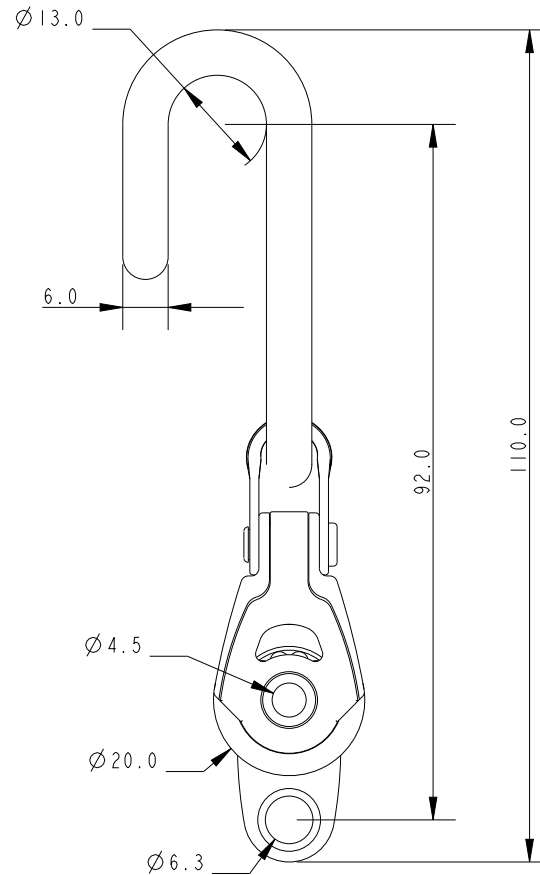


SCALE 1:1



SCALE 1:1

Specification					
Length mm	Line Diameter mm	Breaking Load kg	MWL kg	Weight g	Bearing Detail
110	6	600	225	60.5	Stainless Steel Ball

DIMENSIONS FOR REFERENCE ONLY
 allenbrothers.co.uk
 +44(0)1621 772477

Title	Description
A2023HK-REF	Double With Becket And Hook