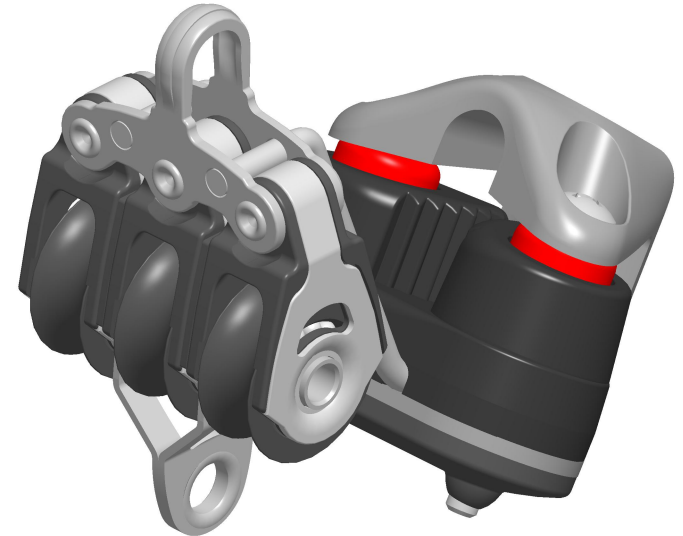
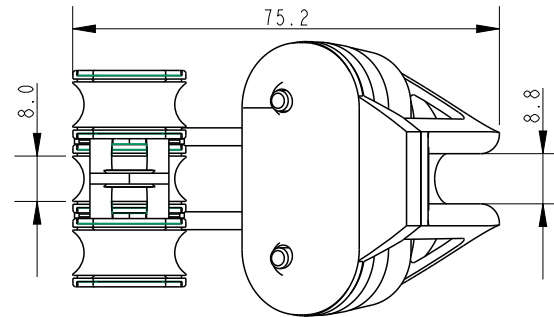
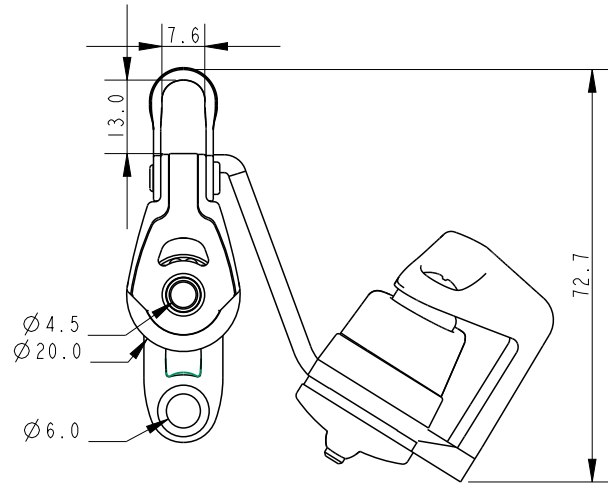


SCALE 3:4



SCALE 6:5

DIMENSIONS FOR REFERENCE ONLY
 allenbrothers.co.uk
 +44(0)1621 772477

Specification

Length mm	Line Diameter mm	Shackle Pin mm	Breaking Load kg	MWL kg	Weight g	Bearing Detail
75.2	6	-	650	320	86.9	Stainless Steel

Title	Description
A2027-REF	Triple, Cleat & Becket