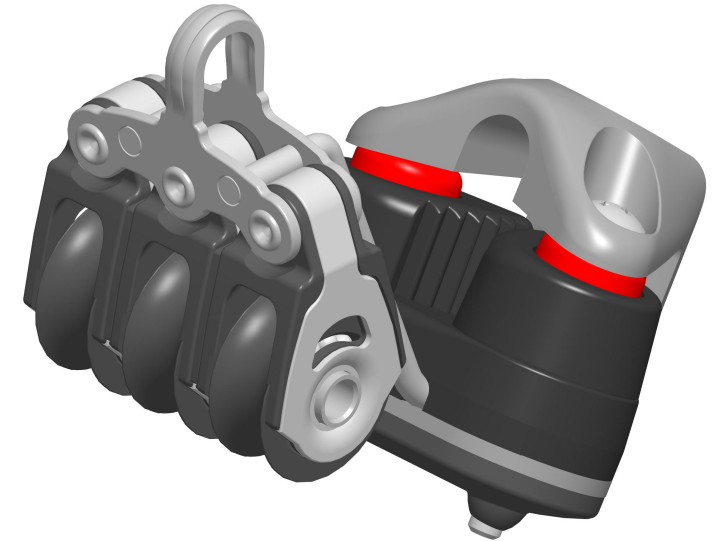
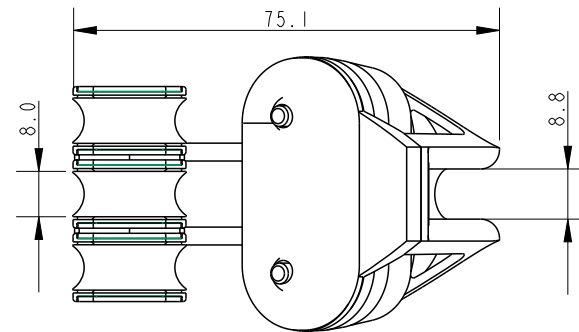
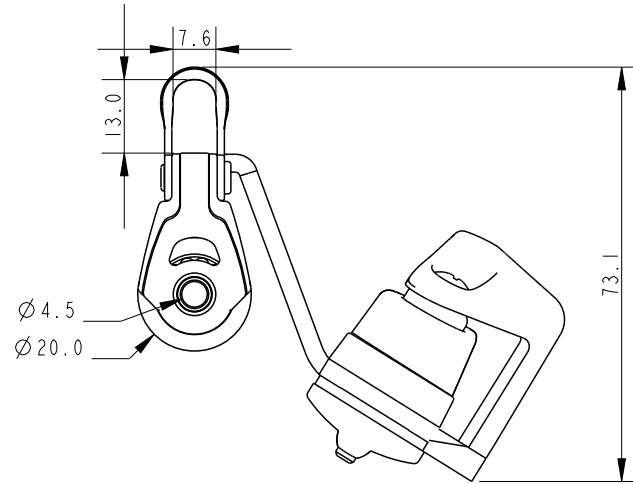


SCALE 3:4



SCALE 5:4

DIMENSIONS FOR REFERENCE ONLY
allenbrothers.co.uk
+44(0)1621 772477

Specification

Length mm	Line Diameter mm	Shackle Pin mm	Breaking Load kg	MWL kg	Weight g	Bearing Detail
75.1	6	-	650	320	98	Stainless Steel

Title	Description
A2027NB-REF	Triple With Extended Cleat