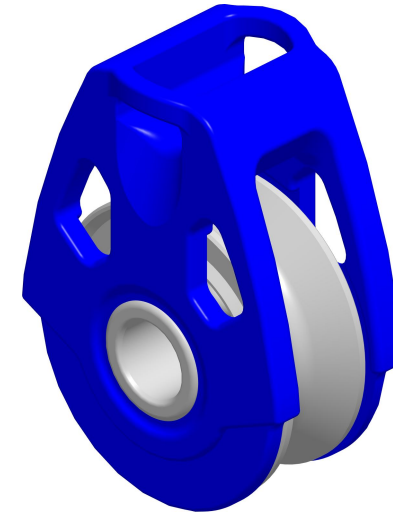
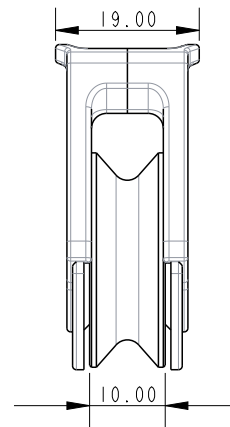
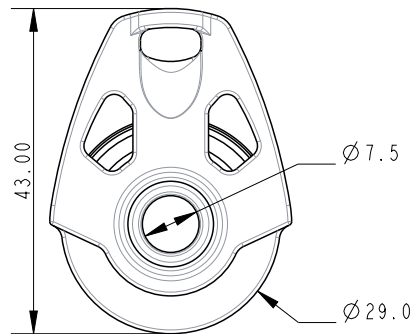


SCALE 1:1



SCALE 3:2

Available colours: Black, Blue, Silver, Purple, Gold, Orange

DIMENSIONS FOR REFERENCE ONLY
allenbrothers.co.uk
 +44(0)1621 772477

Specification

Length mm	Line Diameter mm	Shackle Pin mm	Breaking Load kg	MWL kg	Weight g	Bearing Detail
43	8	-	1250	350	41	Stainless Steel

Title	Description
A2030-XHL-REF	Extreme High Load Block