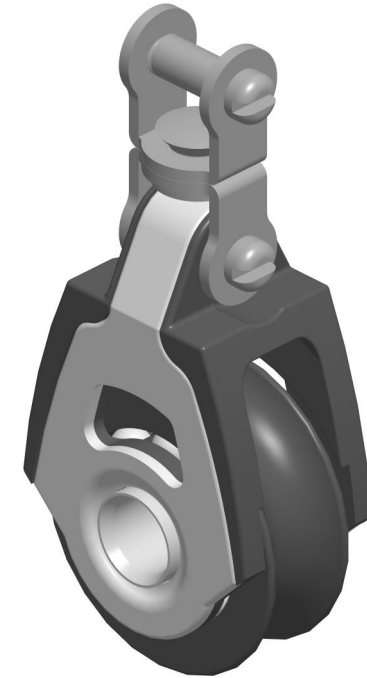
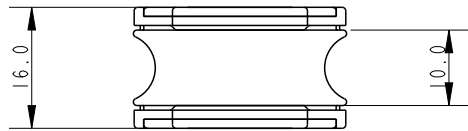


SCALE 1:1



SCALE 3:2

Specification						
Length mm	Line Diameter mm	Shackle Pin mm	Breaking Load kg	MWL kg	Weight g	Bearing Detail
63	8	4	400	140	37	Stainless Steel

DIMENSIONS FOR REFERENCE ONLY
 allenbrothers.co.uk
 +44(0)1621 772477

Title	Description
A2031SC-REF	Single Swivel Fork