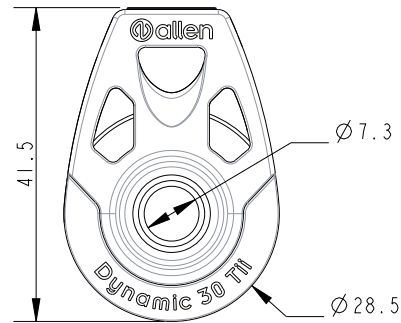
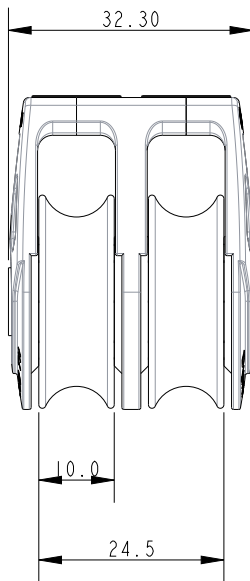


SCALE 1:1



SCALE 3:2

Specification

Length mm	Line Diameter mm	Breaking Load kg	MWL kg	Weight g	Bearing Detail
41.5	8	1100	280	48	Stainless Steel Ball

DIMENSIONS FOR REFERENCE ONLY
 allenbrothers.co.uk
 +44(0)1621 772477

Title	Description
A2032TII-REF	Double Tii-On