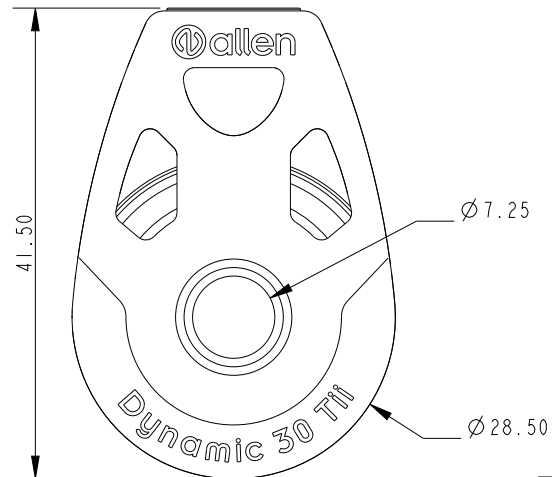
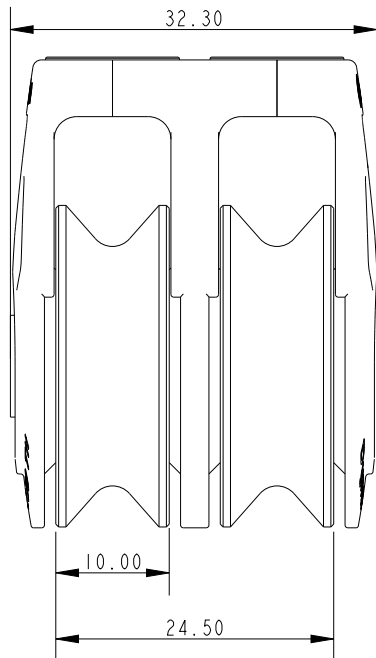


SCALE 3:2



SCALE 5:2



**Specification**

Length mm	Line Diameter mm	Breaking Load kg	MWL kg	Weight g	Bearing Detail
41.5	8	1100	300	60	Stainless Steel Ball

**DIMENSIONS FOR REFERENCE ONLY**  
 allenbrothers.co.uk  
 +44(0)1621 772477

Title	Description
<b>A2032TiiHL-REF</b>	<b>Double High Load Tii-On</b>