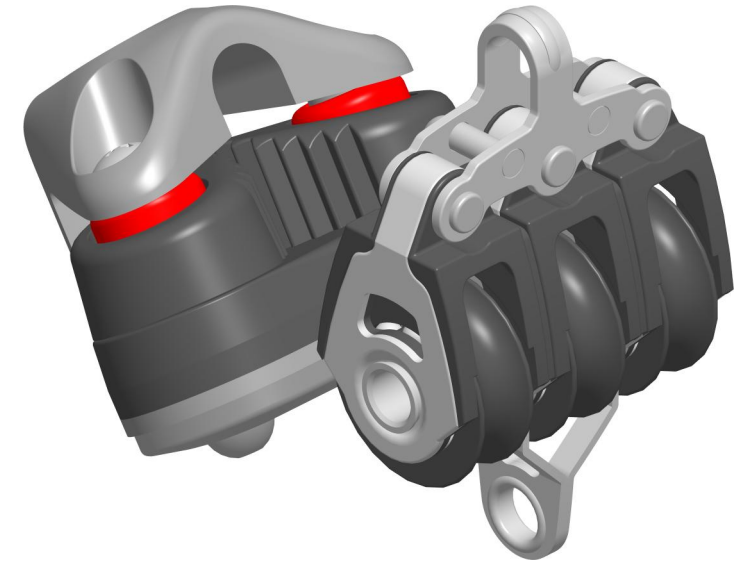
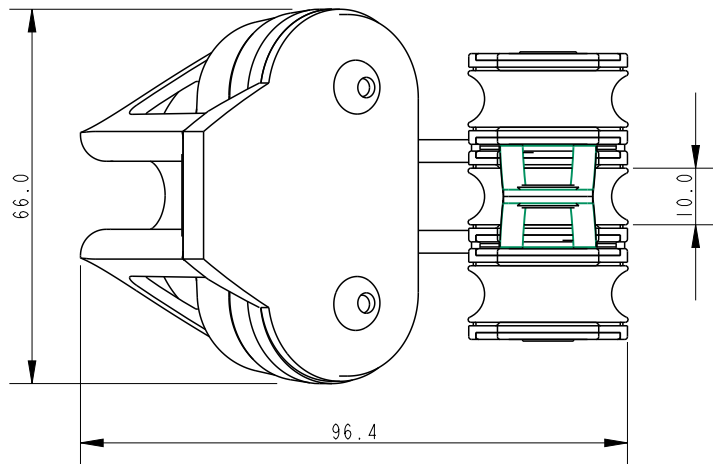


SCALE 3:4



SCALE 1:1

DIMENSIONS FOR REFERENCE ONLY
allenbrothers.co.uk
+44(0)1621 772477

Specification

| Length mm | Line Diameter mm | Shackle Pin mm | Breaking Load kg | MWL kg | Weight g | Bearing Detail |
|-----------|------------------|----------------|------------------|--------|----------|-----------------|
| 83 | 8 | - | 1750 | 490 | 146 | Stainless Steel |

| Title | Description |
|------------------|---------------------------------|
| A2037-REF | Triple, Cleat And Becket |