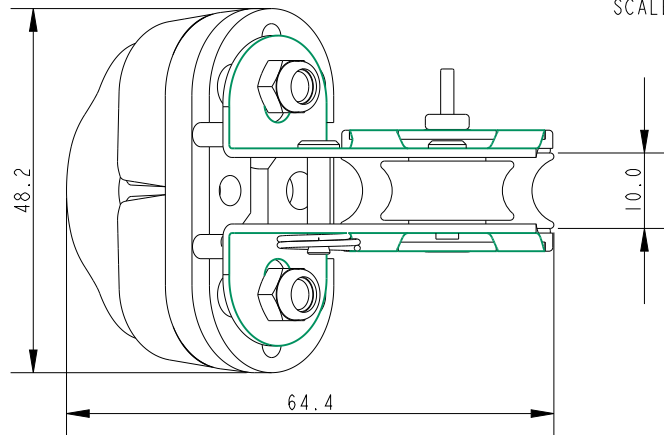


SCALE 1:1



SCALE 1:1

DIMENSIONS FOR REFERENCE ONLY
allenbrothers.co.uk
 +44(0)1621 772477

Specification

Length mm	Line Diameter mm	Shackle Pin mm	Breaking Load kg	MWL kg	Weight g	Bearing Detail
89.31	8	4	600	140	86.2	Stainless Steel

Title	Description
A2039-CAM-REF	Dynamic Block with Fiddle and Cleat