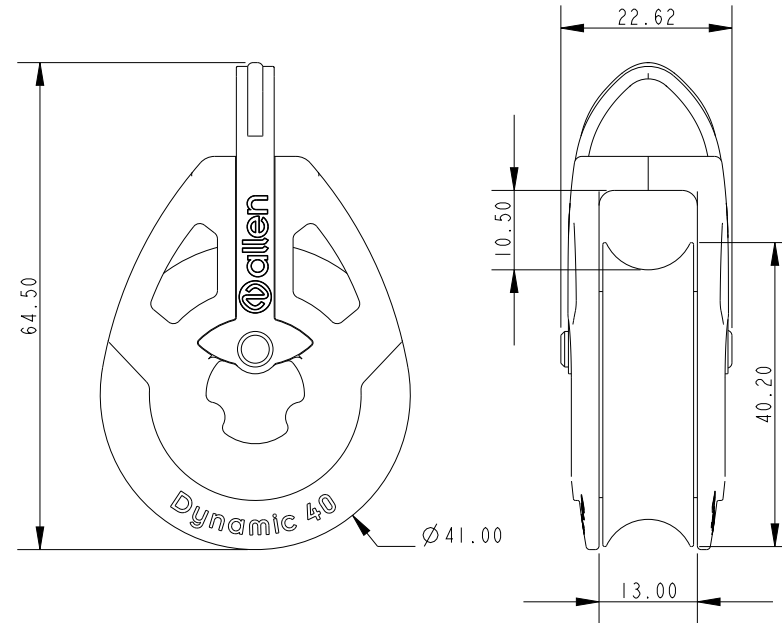




SCALE 2:1



Specification

Length mm	Line Diameter mm	Breaking Load kg	MWL kg	Weight g
64.50	10	700	240	40

DIMENSIONS FOR REFERENCE ONLY
 allenbrothers.co.uk
 +44(0)1621 772477

Title	Description
A20401S-REF	Single with Strap