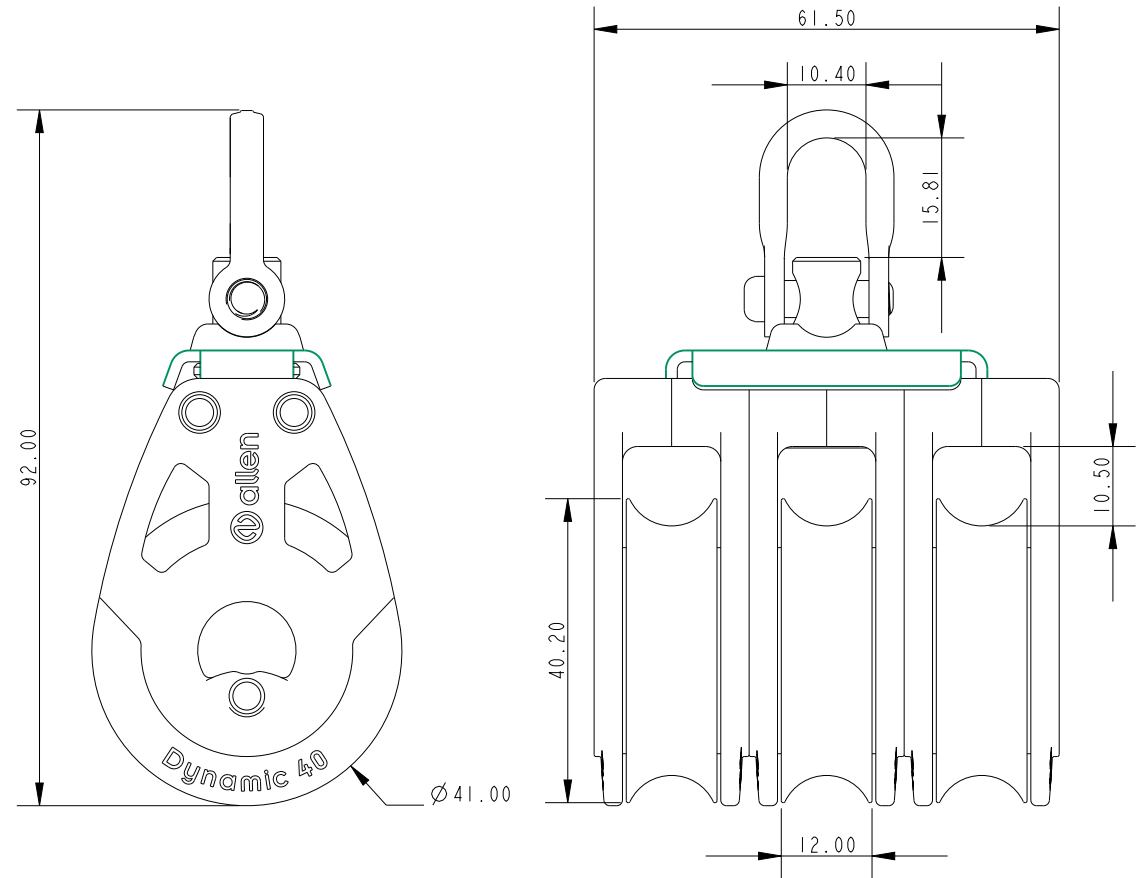




SCALE 1:1



**Specification**

Length mm	Line Diameter mm	Shackle Pin mm	Breaking Load kg	MWL kg	Weight g
92.00	10	5	1400	750	161

**DIMENSIONS FOR REFERENCE ONLY**  
**allenbrothers.co.uk**  
**+44(0)1621 772477**

Title	Description
<b>A20403-REF</b>	<b>Triple</b>