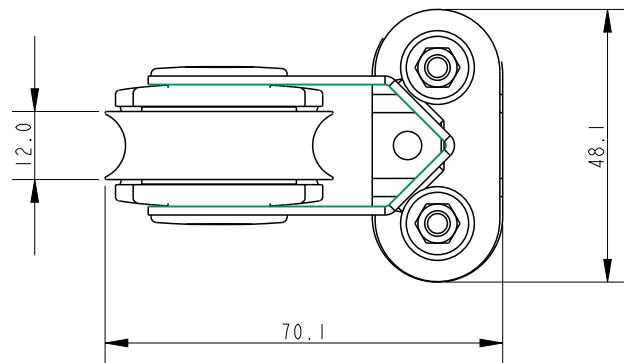


SCALE 3:4



SCALE 1:1



**DIMENSIONS FOR REFERENCE ONLY**  
**allenbrothers.co.uk**  
**+44(0)1621 772477**

Specification						
Length mm	Line Diameter mm	Shackle Pin mm	Breaking Load kg	MWL kg	Weight g	Bearing Detail
73	10	4	800	180	107	Stainless Steel

Title	Description
<b>A2040SC-677-REF</b>	Single With Swivel And A.677 Cam Cleat