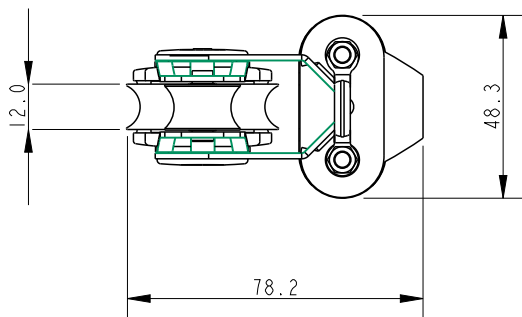


SCALE 1:2



SCALE 3:4



DIMENSIONS FOR REFERENCE ONLY
allenbrothers.co.uk
 +44(0)1621 772477

Specification

Length mm	Line Diameter mm	Shackle Pin mm	Breaking Load kg	MWL kg	Weight g	Bearing Detail
100	10	4	500	180	140	Stainless Steel

Title

A2041-677HK-REF

Description

Single With Swivel, Fiddle Block, A.677 And Hook