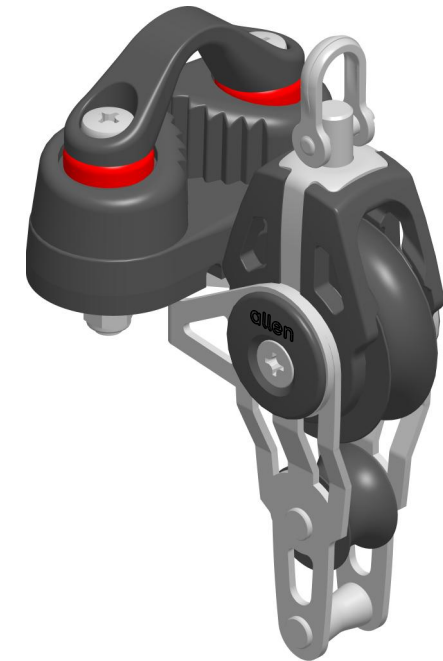
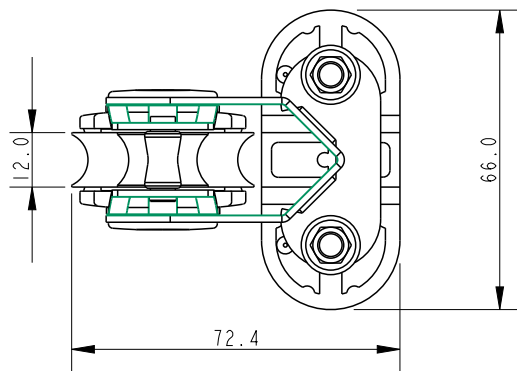


SCALE 3:5



SCALE 3:4

DIMENSIONS FOR REFERENCE ONLY
 allenbrothers.co.uk
 +44(0)1621 772477

Specification

Length mm	Line Diameter mm	Shackle Pin mm	Breaking Load kg	MWL kg	Weight g	Bearing Detail
122	10	4	800	180	152	Stainless Steel

Title

A2044-676-REF

Description

Single With Swivel, Fiddle Block, Becket And A.676