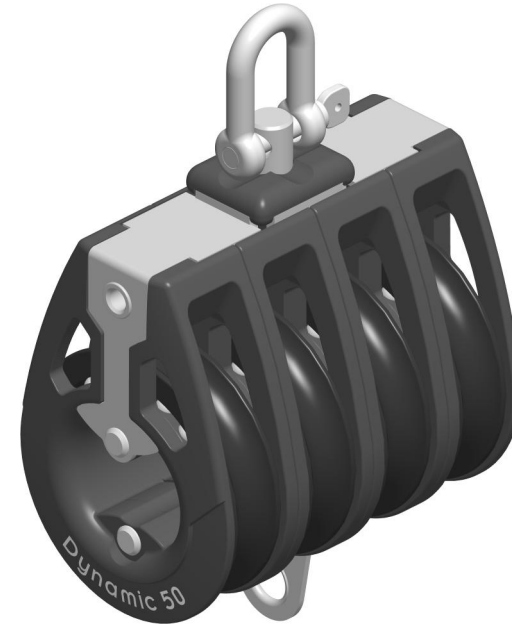
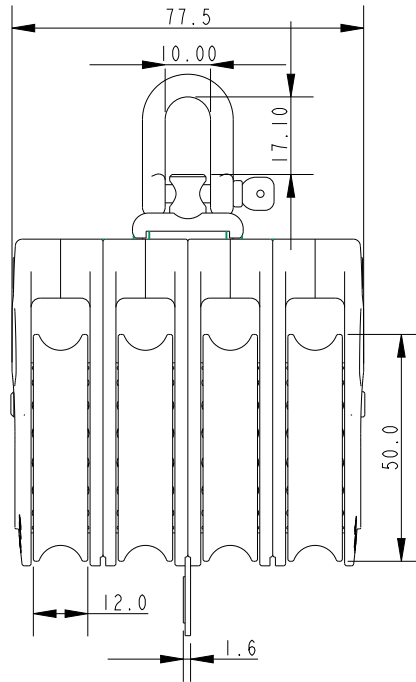


SCALE 3:5



SCALE 3:4

**DIMENSIONS FOR REFERENCE ONLY**  
 allenbrothers.co.uk  
 +44(0)1621 772477

Specification						
Length mm	Line Diameter mm	Shackle Pin mm	Breaking Load kg	MWL kg	Weight g	Bearing Detail
123.75	10	5	950	470	274	Stainless Steel

Title	Description
<b>A2057-REF</b>	<b>Quad with Becket</b>