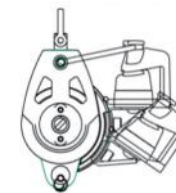
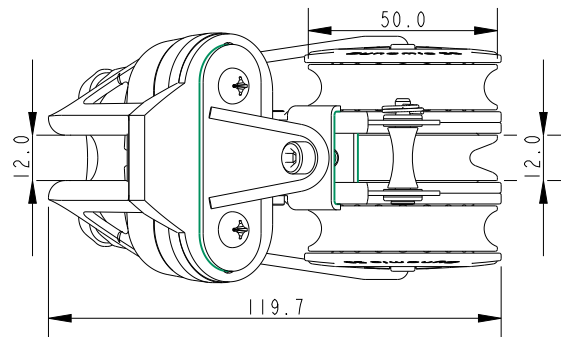


SCALE 3:4



25° of Adjustment,
with 3 Positions at
12.5° intervals

DIMENSIONS FOR REFERENCE ONLY
allenbrothers.co.uk
+44(0)1621 772477

Specification

Length mm	Line Diameter mm	Shackle Pin mm	Breaking Load kg	MWL kg	Weight g	Bearing Detail
123.75	8	4	950	470	391	Stainless Steel

Title	Description
A2058-REF	Triple With Ratchet And Adjustable Cleat