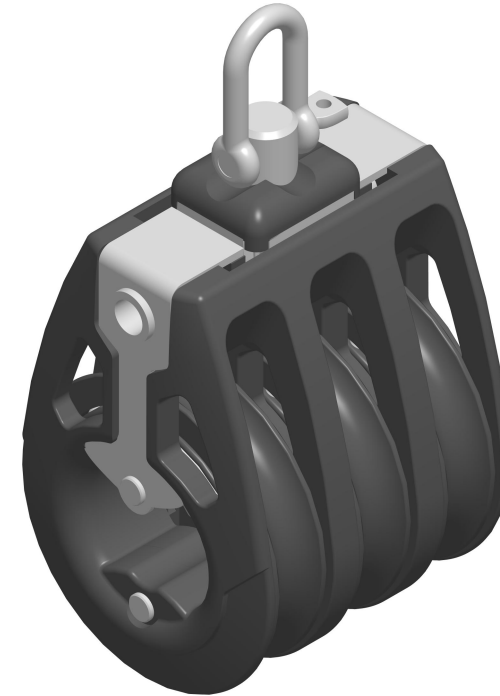
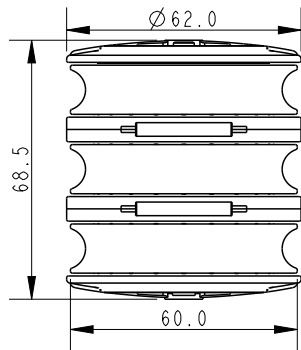


SCALE 1:2



SCALE 3:4

DIMENSIONS FOR REFERENCE ONLY
allenbrothers.co.uk
+44(0)1621 772477

Specification

Length mm	Line Diameter mm	Shackle Pin mm	Breaking Load kg	MWL kg	Weight g	Bearing Detail
129.5	10	5	1250	600	353	Stainless Steel

Title	Description
A2064-REF	Triple