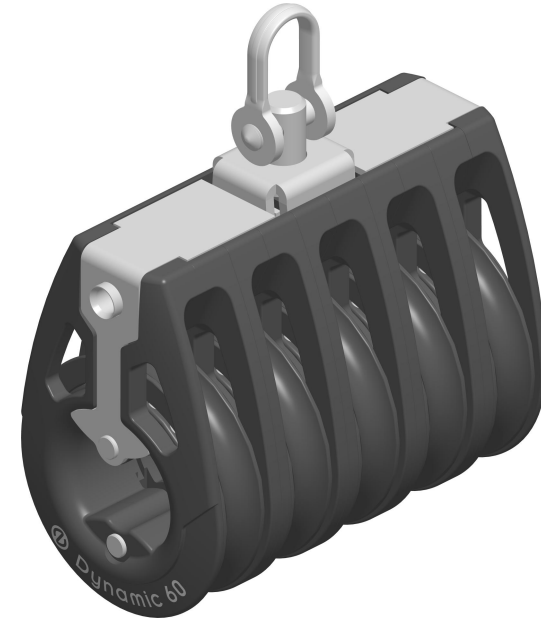
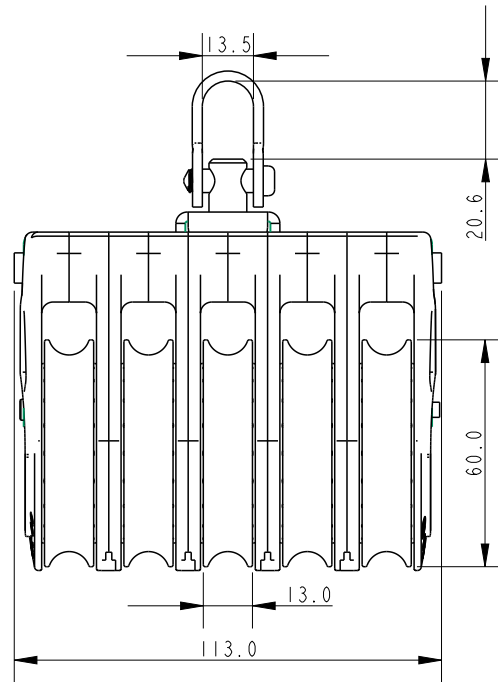


SCALE 1:2



SCALE 3:5

DIMENSIONS FOR REFERENCE ONLY
 allenbrothers.co.uk
 +44(0)1621 772477

Specification

Length mm	Line Diameter mm	Shackle Pin mm	Breaking Load kg	MWL kg	Weight g	Bearing Detail
132.1	10	5	1250	600	549	Stainless Steel

Title	Description
A2069-REF	Quint