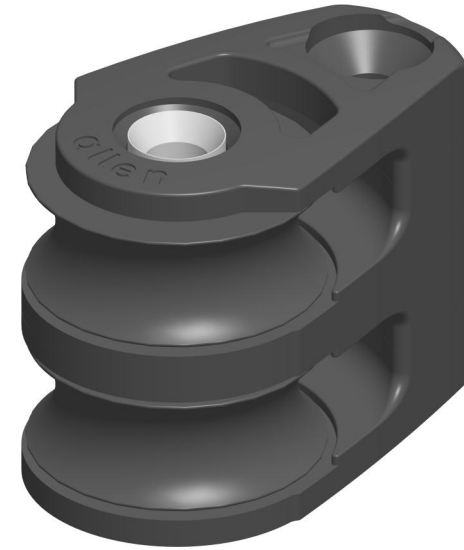
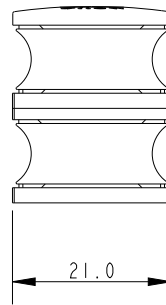
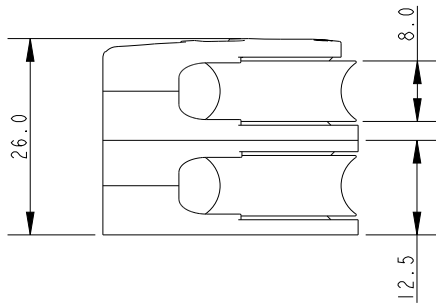


SCALE 1:1



SCALE 2:1

Specification					
Length mm	Line Diameter mm	Breaking Load kg	MWL kg	Weight g	Bearing Detail
33.8	6	540	225	23	Stainless Steel Ball

DIMENSIONS FOR REFERENCE ONLY
 allenbrothers.co.uk
 +44(0)1621 772477

Title	Description
A2126M-REF	Double Composite Cheek