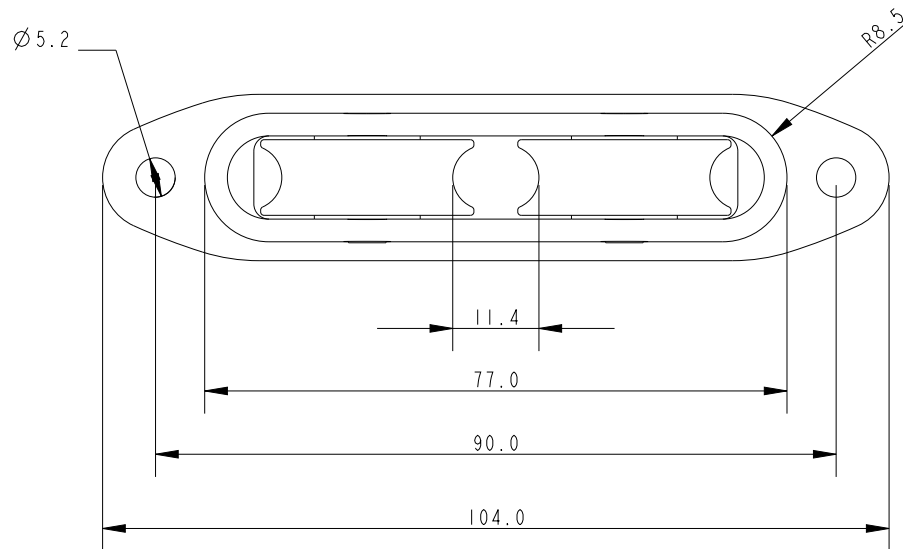


SCALE 1:1



DIMENSIONS FOR REFERENCE ONLY
allenbrothers.co.uk
 +44(0)1621 772477

Specification

Length mm	Line Diameter mm	Hole Centre mm	Breaking Load kg	MWL kg	Weight g	Bearing Detail
77	8	90	500	140	45	Stainless Steel

Title	Description
A2132-REF	Double Through Deck