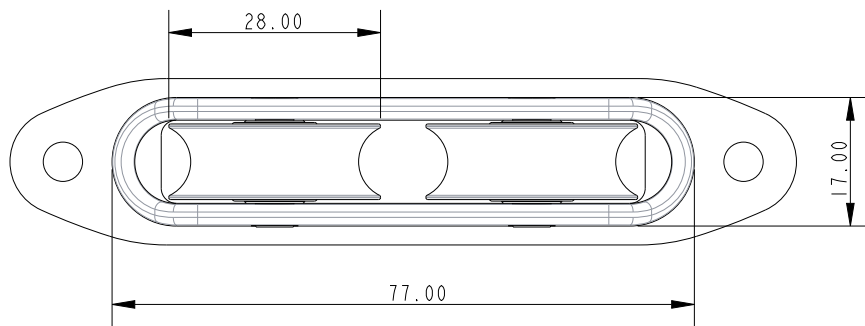


SCALE 3:2



NOTES

Plain nylon bearing for static loads

Specification

Length mm	Line Diameter mm	Hole Centre mm	Breaking Load kg	Weight g	Bearing Details
104	8	90	500	45	Plain Bearing

DIMENSIONS FOR REFERENCE ONLY
 allenbrothers.co.uk
 +44(0)1621 772477

Title	Description
A2132P-REF	Double Nylon Plain