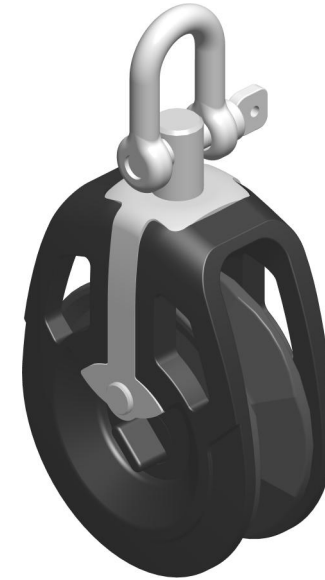
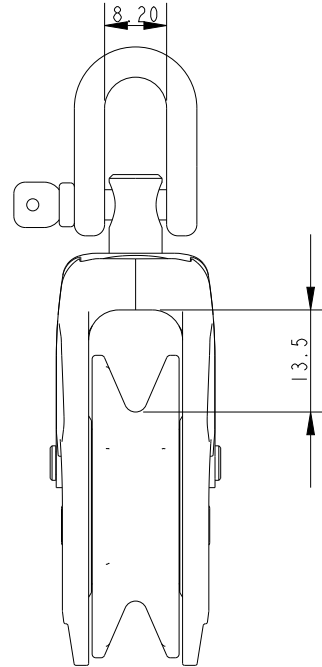
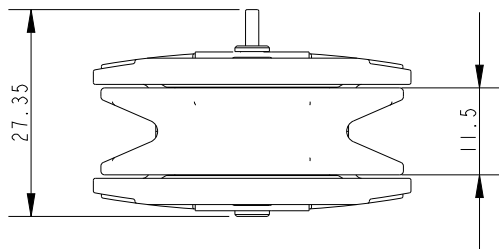


SCALE 1:1



SCALE 1:1



**Specification**

Sheave Dia. mm	Length mm	Line Diameter mm	Shackle Pin mm	Breaking Load kg	MWL kg	Weight g	Bearing Detail
40	81.78	6	4	475	150	40	Delrin

**DIMENSIONS FOR REFERENCE ONLY**  
 allenbrothers.co.uk  
 +44(0)1621 772477

Title	Description
<b>A2140-REF</b>	<b>Pro-Ratchet 40</b>