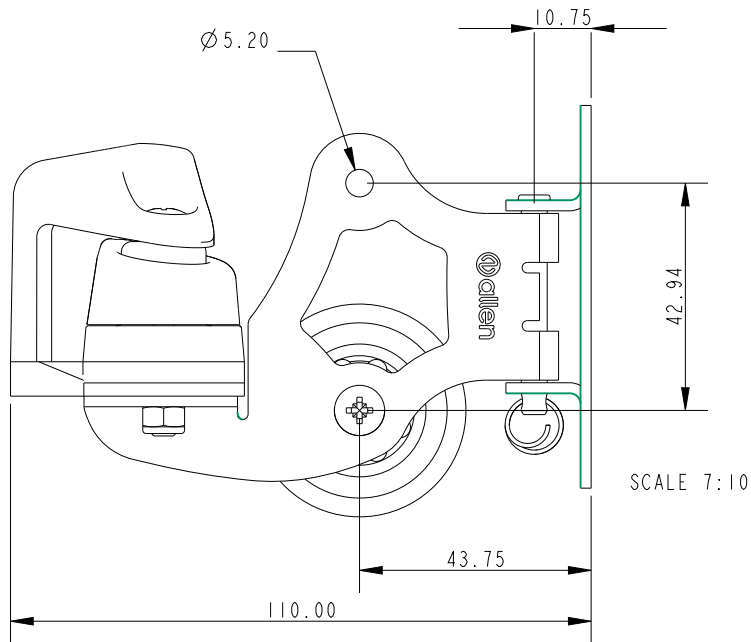
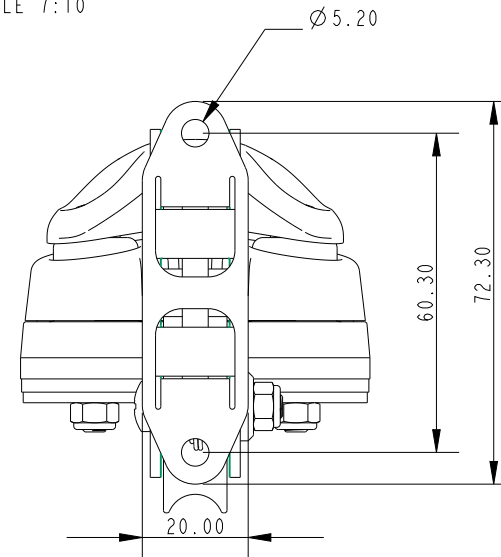


SCALE 7:10



SCALE 7:10



Specification

HWD	Line Diameter mm	Fixing Size	Pitch mm	Breaking Load kg	MWL kg	Weight g
72x66x110	4-10	M5/No. 10	60.3	800	130	210 (Est)

Maximum Working Load (MWL) of A..676 cleat listed

DIMENSIONS FOR REFERENCE ONLY
allenbrothers.co.uk
+44(0)1621 772477

Title	Description
A2143-676-REF	40mm flip flop block with A.676 cleat