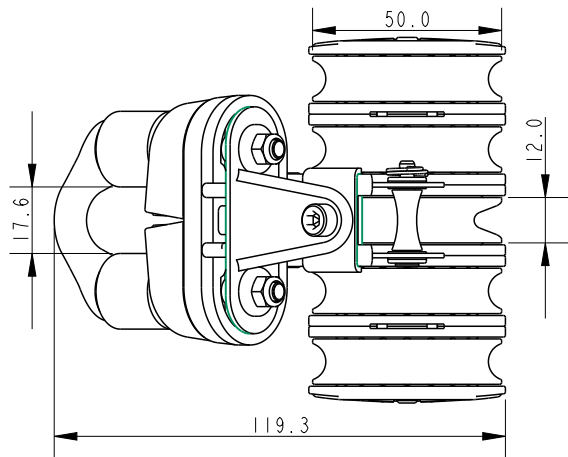


SCALE 1:2



25° of Adjustment  
with 3 positions at  
12.5° intervals

**DIMENSIONS FOR REFERENCE ONLY**  
[allenbrothers.co.uk](http://allenbrothers.co.uk)  
 +44(0)1621 772477

**Specification**

Length mm	Line Diameter mm	Shackle Pin mm	Breaking Load kg	MWL kg	Weight g	Bearing Detail
121.7	10	5	950	470	503	Stainless steel

Title	Description
<b>A2159-REF</b>	Quint With Ratchet And Adjustable Cleat