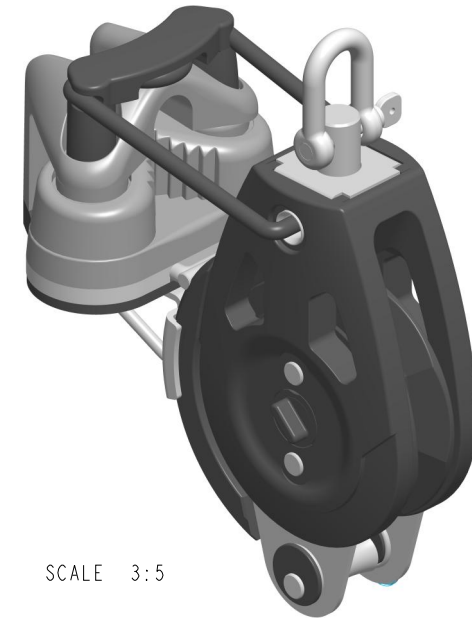
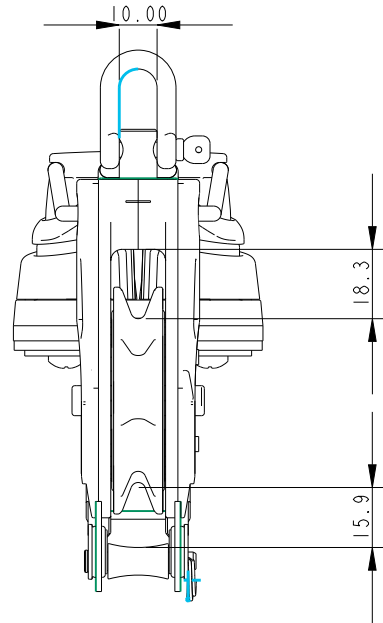
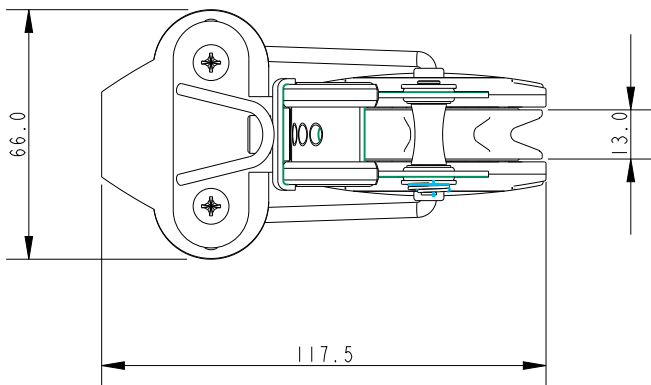


SCALE 1:2



SCALE 3:5



34.5° of Adjustment,
with 4 Positions at
11.5° Intervals

Specification

Sheave Dia. mm	Length mm	Line Diameter mm	Shackle Pin mm	Breaking Load kg	MWL kg	Weight g	Bearing Detail
60	143.2	10	5	1000	275	333	Delrin

DIMENSIONS FOR REFERENCE ONLY
allenbrothers.co.uk
 +44(0)1621 772477

Title	Description
A2161-REF	Single Switchable Ratchet With Becket And Cleat