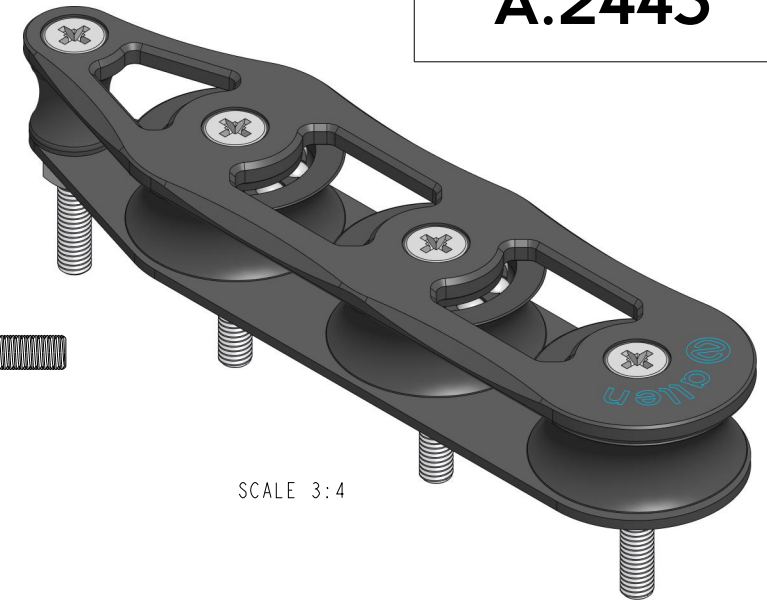
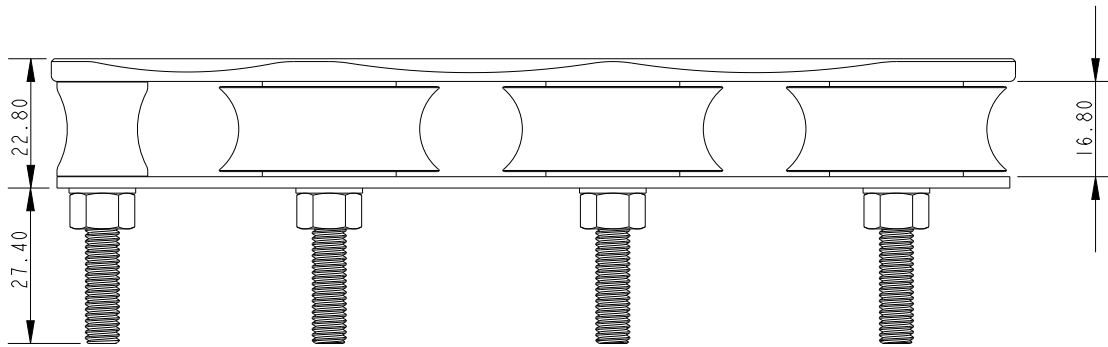


SCALE 3:4



SCALE 3:4



Fixings are M6

**DIMENSIONS FOR REFERENCE ONLY**  
[allenbrothers.co.uk](http://allenbrothers.co.uk)  
 +44(0)1621 772477

**Specification**

Sheave Diameter mm	Length mm	Max Line Diameter mm	Breaking Load kg	Max Working Load kg	Weight g	Bearing Detail
40	170	16	700	200	208	Dynamic

Title	Description
<b>A2443</b>	<b>Triple</b>