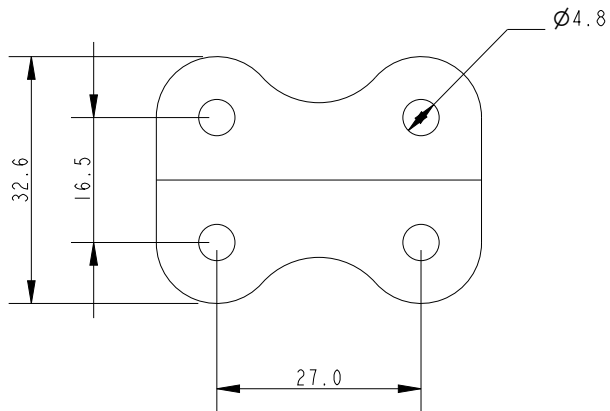
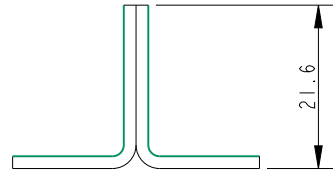


SCALE 1:1



SCALE 3:2

Specification			
Inside Hole mm	Fixing Hole Size mm	Fixing Hole Centres mm	Weight g
11	4.8	27 x 16.5	24

DIMENSIONS FOR REFERENCE ONLY
allenbrothers.co.uk
+44(0)1621 772477

Title	Description
A4003-REF	Stainless Steel Flat Anchor Plate