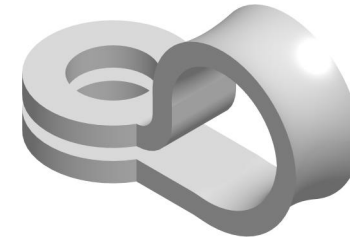
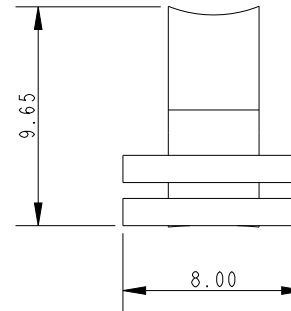
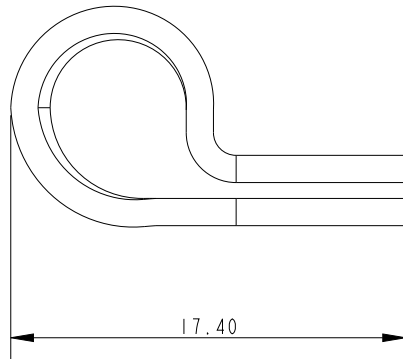


SCALE 3:1



SCALE 3:1



Specification			
Length mm	Hole Diameter mm	Height mm	Weight g
17.4	4.2	9.7	1.65 est

DIMENSIONS FOR REFERENCE ONLY
 allenbrothers.co.uk
 +44(0)1621 772477

Title	Description
A4038-4-REF	SS Pressed Clip