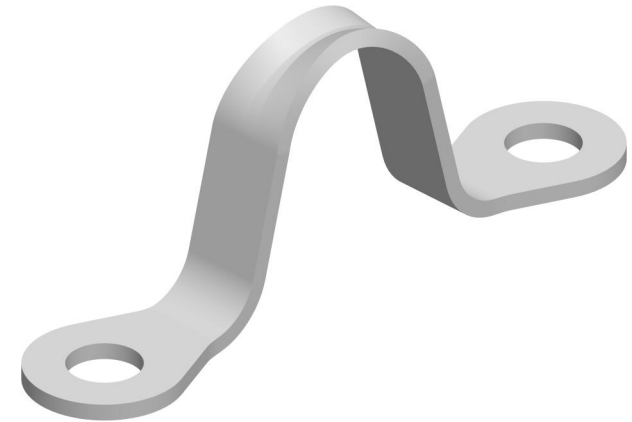
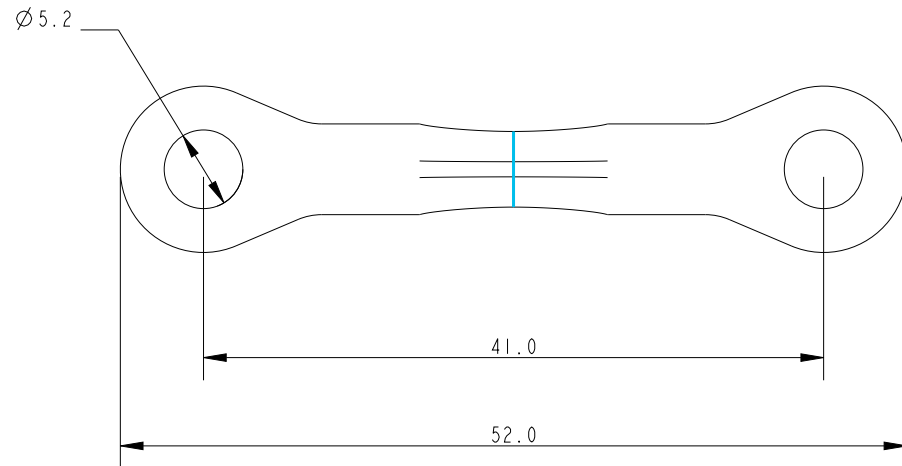


SCALE 2:1



SCALE 2:1



Specification

Part No.	Height mm	Fixing Hole Size mm	Fixing Hole Centres mm	Weight g
A4088	18.6	5.2	41	5
A4088-6.5	18.6	6.5	41	5

DIMENSIONS FOR REFERENCE ONLY
 allenbrothers.co.uk
 +44(0)1621 772477

Title	Description
A4088-REF	Pressed Stainless Steel Lacing Eye - Large