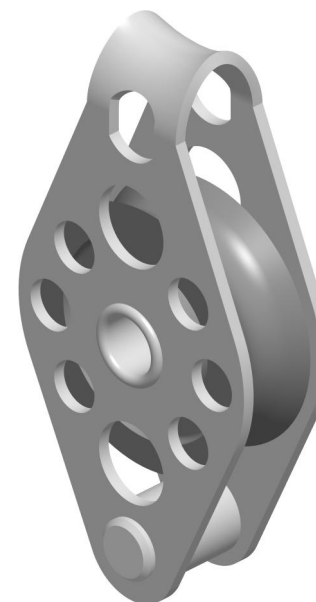


SCALE 1:1



DIMENSIONS FOR REFERENCE ONLY
 allenbrothers.co.uk
 +44(0)1621 772477

Specification					
Sheave Diameter mm	Length mm	Max Line Diameter mm	Shackle Pin mm	Breaking Load kg	Weight g
25	55.4	8	5	400	23

Title	Description
A4093-REF	Single With Becket And Acetal Sheave