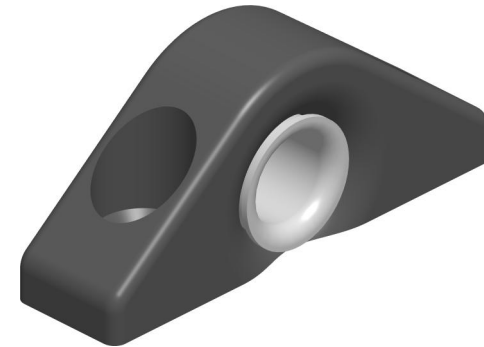
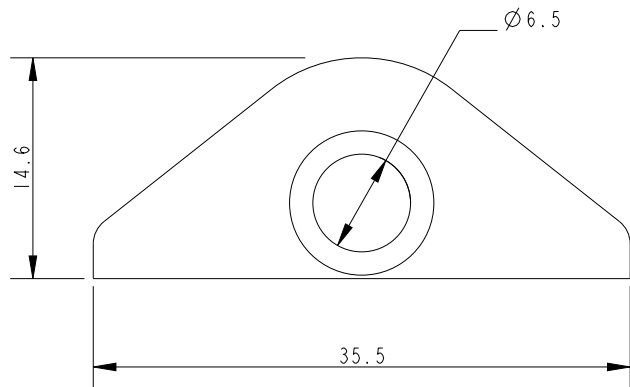
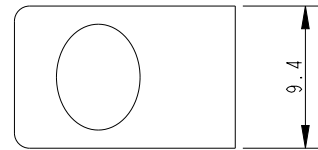


SCALE 2:1



SCALE 2:1

| Specification  |                     |                        |          |
|----------------|---------------------|------------------------|----------|
| Inside Hole mm | Fixing Hole Size mm | Fixing Hole Centres mm | Weight g |
| 6.3            | 3.3                 | 20.7                   | 4        |

**DIMENSIONS FOR REFERENCE ONLY**  
**allenbrothers.co.uk**  
**+44(0)1621 772477**

| Title            | Description                                     |
|------------------|---|
| <b>A4153-REF</b> | Low Profile Fairlead With Stainless Steel Inner |