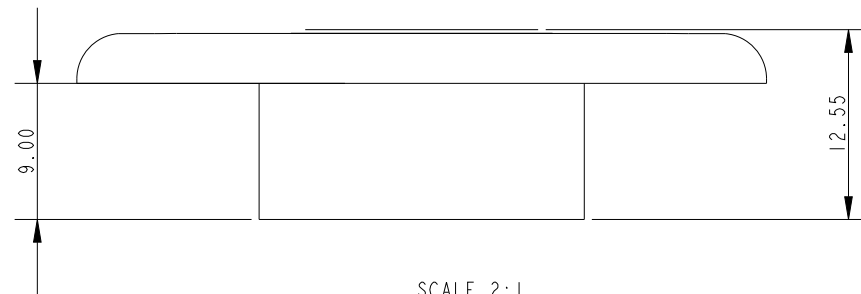
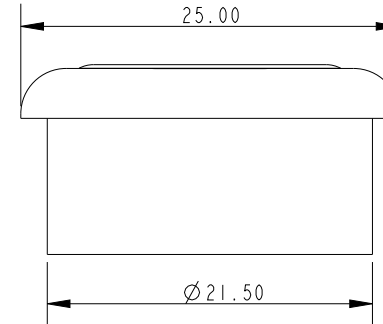


SCALE 2:1



SCALE 2:1



Specification

Inside Diameter mm	Outer Diameter mm	Fixing Hole Size mm	Column Depth mm	Fixing Hole Centres mm	Weight g
11.4	21.5	4.5	9	32.5	9

DIMENSIONS FOR REFERENCE ONLY
 allenbrothers.co.uk
 +44(0)1621 772477

Title	Description
A4239-REF	Deck Bush with Flange and SS Inner